

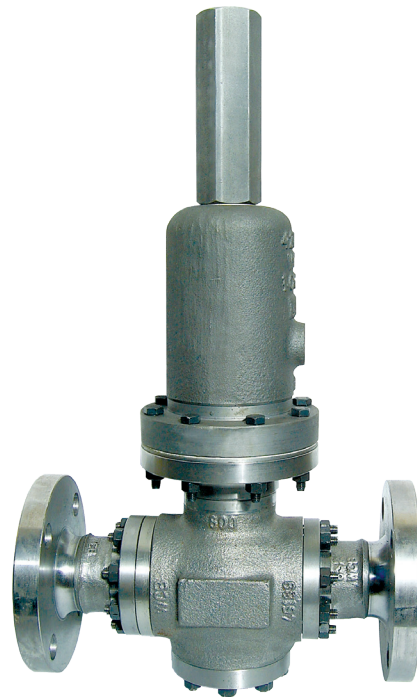
171/172 Series

Direct Operated, Pressure Reducing Regulator

The **Masoneilan™** 171 Series are direct-operated, pressure reducing regulators. They are available in .5 through 1.5 inch (DN15 through DN40) with NPT or GAS threaded connections. The regulators are available only in cast iron. The robust construction can sustain rugged use. The design can handle inlet pressures up to 580 psig (40 barg).



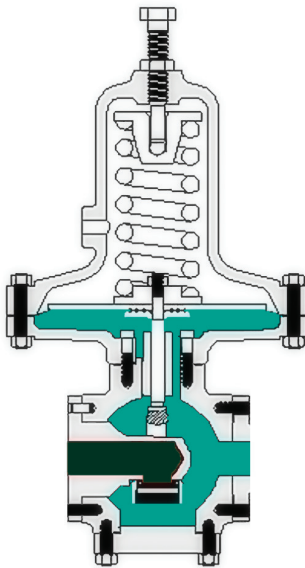
The 172 Series are direct-operated, pressure reducing regulators. They are available in .5 through 2 inch (DN15 through DN50) body sizes and can be supplied with a wide range of different end connections. The flanged design provides flexibility to meet custom face to face dimensions as required. The regulators have a compact design and durable construction to sustain rugged use.



171 Series:
(PED 2014/68/EU - ATEX 2014/34/EU)

Features

- Economical design
- In-line maintenance
- Elastomer discs for tight shutoff
- Rugged construction



172 Series:
Threaded or Flanged Connections Carbon Steel,
Stainless Steel & Alloy Construction

Features

- Versatility
- In-line maintenance
- High stability
- Rugged construction

