

1541 & 1543 Series

Safety Valve

Instruction Manual (Rev. C)



THESE INSTRUCTIONS PROVIDE THE CUSTOMER/OPERATOR WITH IMPORTANT PROJECT-SPECIFIC REFERENCE INFORMATION IN ADDITION TO THE CUSTOMER/OPERATOR'S NORMAL OPERATION AND MAINTENANCE PROCEDURES. SINCE OPERATION AND MAINTENANCE PHILOSOPHIES VARY, BAKER HUGHES (AND ITS SUBSIDIARIES AND AFFILIATES) DOES NOT ATTEMPT TO DICTATE SPECIFIC PROCEDURES, BUT TO PROVIDE BASIC LIMITATIONS AND REQUIREMENTS CREATED BY THE TYPE OF EQUIPMENT PROVIDED.

THESE INSTRUCTIONS ASSUME THAT OPERATORS ALREADY HAVE A GENERAL UNDERSTANDING OF THE REQUIREMENTS FOR SAFE OPERATION OF MECHANICAL AND ELECTRICAL EQUIPMENT IN POTENTIALLY HAZARDOUS ENVIRONMENTS. THEREFORE, THESE INSTRUCTIONS SHOULD BE INTERPRETED AND APPLIED IN CONJUNCTION WITH THE SAFETY RULES AND REGULATIONS APPLICABLE AT THE SITE AND THE PARTICULAR REQUIREMENTS FOR OPERATION OF OTHER EQUIPMENT AT THE SITE.

THESE INSTRUCTIONS DO NOT PURPORT TO COVER ALL DETAILS OR VARIATIONS IN EQUIPMENT NOR TO PROVIDE FOR EVERY POSSIBLE CONTINGENCY TO BE MET IN CONNECTION WITH INSTALLATION, OPERATION OR MAINTENANCE. SHOULD FURTHER INFORMATION BE DESIRED OR SHOULD PARTICULAR PROBLEMS ARISE WHICH ARE NOT COVERED SUFFICIENTLY FOR THE CUSTOMER/OPERATOR'S PURPOSES THE MATTER SHOULD BE REFERRED TO BAKER HUGHES.

THE RIGHTS, OBLIGATIONS AND LIABILITIES OF BAKER HUGHES AND THE CUSTOMER/OPERATOR ARE STRICTLY LIMITED TO THOSE EXPRESSLY PROVIDED IN THE CONTRACT RELATING TO THE SUPPLY OF THE EQUIPMENT. NO ADDITIONAL REPRESENTATIONS OR WARRANTIES BY BAKER HUGHES REGARDING THE EQUIPMENT OR ITS USE ARE GIVEN OR IMPLIED BY THE ISSUE OF THESE INSTRUCTIONS.

THESE INSTRUCTIONS ARE FURNISHED TO THE CUSTOMER/OPERATOR SOLELY TO ASSIST IN THE INSTALLATION, TESTING, OPERATION, AND/OR MAINTENANCE OF THE EQUIPMENT DESCRIBED. THIS DOCUMENT SHALL NOT BE REPRODUCED IN WHOLE OR IN PART WITHOUT THE WRITTEN APPROVAL OF BAKER HUGHES.

Conversion Table

All the United States Customary System (USCS) values are converted to metric values using the following conversion factors:

USCS Unit	Conversion Factor	Metric Unit
in.	25.4	mm
lb.	0.4535924	kg
in ²	6.4516	cm ²
ft ³ /min	0.02831685	m ³ /min
gal/min	3.785412	L/min
lb/hr	0.4535924	kg/hr
psig	0.06894757	barg
ft lb	1.3558181	Nm
°F	5/9 (°F-32)	°C

Note: Multiply USCS value with conversion factor to get metric value.

NOTICE

For valve configurations not listed in this manual, please contact your local *Green Tag*™ Center for assistance.

Table of Contents

Section	Subject	Page No
I.	Product Safety Sign and Label System	4
II.	Safety Precautions.....	5
III.	Safety Notice	5
IV.	Warranty Information	6
V.	Valve Terminology.....	7
VI.	Handling, Storage and Pre-installation	8
VII.	Pre-Installation and Installation Instructions	8
VIII.	Design Features & Nomenclature.....	9
IX.	Introduction	9
X.	Consolidated Safety Valve Type 1541/1543	10
XI.	Operating Principles	11
XII.	General Planning for Maintenance	11
XIII.	Disassembly of 1541/1543 Series Safety Valves	12
XIV.	Maintenance Instructions	12
	A. General.....	12
	B. Lapping Procedure	12
XV.	Inspection and Part Replacement	13
	1. Metal Seat Disc	13
	2. Soft Seat Disc.....	13
	3. Lower Adjusting Ring.....	14
	4. Upper Adjusting Ring.....	14
	5. Base	14
XVI.	Reassembly of 1541/1543 Series Safety Valves	15
XVII.	Setting, Testing and Adjustment	16
XVIII.	Trouble-shooting	17
XIX.	Replacement Parts Planning	19
	A. Basic Guidelines.....	19
	B. Identification and Ordering Essentials.....	20
XX.	Genuine Consolidated Parts.....	20
XXI.	Field Service, Repair and Training Program	21
	A. Field Service.....	21
	B. Factory Repair Facilities.....	21
	C. Safety Valve Maintenance Training	21

I. Product Safety Sign and Label System

If and when required, appropriate safety labels have been included in the rectangular margin blocks throughout this manual. Safety labels are vertically oriented rectangles as shown in the *representative examples* (below), consisting of three panels encircled by a narrow border. The panels can contain four messages which communicate:

- The level of hazard seriousness
- The nature of the hazard
- The consequence of human, or product, interaction with the hazard.
- The instructions, if necessary, on how to avoid the hazard.

The top panel of the format contains a signal word (DANGER, WARNING, CAUTION or ATTENTION) that communicates the level of hazard seriousness.

The center panel contains a pictorial that communicates the nature of the hazard, and the possible consequence of human or product interaction with the hazard. In some instances of human hazards the pictorial may, instead, depict what preventive measures to take, such as wearing protective equipment.

The bottom panel may contain an instruction message on how to avoid the hazard. In the case of human hazard, this message may also contain a more precise definition of the hazard, and the consequences of human interaction with the hazard, than can be communicated solely by the pictorial.

① **DANGER** — Immediate hazards which **WILL** result in severe personal injury or death.

② **WARNING** — Hazards or unsafe practices which **COULD** result in severe personal injury or death.

③ **CAUTION** — Hazards or unsafe practices which **COULD** result in minor personal injury.

④ **ATTENTION** — Hazards or unsafe practices which **COULD** result in product or property damage



II. Safety Precautions

⚠ DANGER



Lower pressure and stand clear of discharge when working on valve to avoid severe personal injury or death.

⚠ WARNING



Know all valve exhaust/leakage points to avoid possible severe personal injury or death.

⚠ CAUTION



Wear necessary protective equipment to prevent possible injury

Follow all plant safety regulations, but be sure to observe the following:

- Always lower the working pressure before making any valve adjustment. When making ring adjustments, always gag the valve before making the adjustment. This will avoid possible personal injury.
- Do not stand in front of the discharge side of a safety valve when testing or operating.
- Hearing and eye protection should be used when testing or operating a valve.
- Wear protective clothing. Hot water can burn and superheated steam is not visible.
- When removing the safety valve during disassembly, stand clear and/or wear protective clothing to prevent exposure to splatter, or any corrosive process medium, which may have been trapped inside the valve. Ensure the valve is isolated from system pressure before the valve is removed.
- Exercise care when examining a safety valve for leakage.
- Prior to each actuation, assure that no personnel are near the valve. Steam escaping from the valve during actuation possibly can cause personal injury.
- When popping a safety valve for the first time, or after refurbishment, always be prepared to actuate the valve with the lever while standing in a safe place away from the valve. This may be done by fixing a rope to the lever for actuating the valve from a distance.
- Striking a valve which is under pressure can cause premature actuation. Never tamper with the valve when system pressure is near the valve set pressure.
- Before performing any machining on valve parts, consult Baker Hughes or its authorized representative. Deviation from critical dimensions can adversely affect valve performance.

III. Safety Notice

Proper installation and start-up is essential to the safe and reliable operation of all valve products. The relevant procedures recommended by Baker Hughes, and described in these instructions are effective methods of performing the required tasks.

It is important to note that these instructions contain various “safety messages” which should be carefully read in order to minimize the risk of personal injury, or the possibility that improper procedures will be followed which may damage the involved Baker Hughes product, or render it unsafe. It also is important to understand that these “safety messages” are not exhaustive. Baker Hughes cannot possibly know, evaluate, and advise any customer of all of the conceivable ways in which tasks might be performed, or the possible hazardous consequences of each way. Consequently, Baker Hughes has not undertaken any such broad evaluation and, thus, anyone who uses a procedure and/or tool, which is not recommended by Baker Hughes, or deviates from Baker Hughes recommendations, must be thoroughly satisfied that neither personal safety, nor valve safety, will be jeopardized by the method and/or tools selected. Please

III. Safety Notice (Contd.)

contact your local Green Tag Center if there are any questions relative to tools/methods.

The installation and start-up of valves and/or valve products may involve proximity to fluids at extremely high pressure and/or temperature. Consequently, every precaution should be taken to prevent injury to personnel during the performance of any procedure. These precautions should consist of, but are not limited to, ear drum protection, eye protection, and the use of protective clothing, (i.e., gloves, etc.) when personnel are in, or around, a valve work area. Due to the various circumstances and conditions in which these operations may be performed on Baker Hughes products, and the possible hazardous consequences of each way, Baker Hughes cannot possibly evaluate

all conditions that might injure personnel or equipment. Nevertheless, Baker Hughes does offer certain Safety Precautions, listed in Section II, for customer information only.

It is the responsibility of the purchaser or user of Baker Hughes valves/equipment to adequately train all personnel who will be working with the involved valves/equipment. For more information on training schedules, please call your local Green Tag Center. Further, prior to working with the involved valves/equipment, personnel who are to perform such work should become thoroughly familiar with the contents of these instructions.

IV. Warranty Information

Warranty Statement - Baker Hughes warrants that its products and work will meet all applicable specifications and other specific product and work requirements (including those of performance), if any, and will be free from defects in material and workmanship. Refer to Baker Hughes's Standard Terms of Sale, or specific contract for complete details on warranty and limitation of remedy and liability.

Defective and nonconforming items must be held for Baker Hughes inspection and returned to the original F.O.B. point upon request.

Incorrect Selection or Misapplication of Products

- Baker Hughes cannot be responsible for customer's incorrect selection or misapplication of our products.

Unauthorized Repair Work

- Baker Hughes has not authorized any non-Baker Hughes-affiliated repair companies, contractors or individuals to perform warranty repair service on new products or field repaired products of its manufacture. Therefore, customers contracting such repair services from unauthorized sources must do so at their own risk.

Unauthorized Removal of Seals

- All new valves and valves repaired in the field by Baker Hughes Field Service are sealed to assure the customer of our guarantee against defective workmanship. Unauthorized removal and/or breakage of this seal will negate our warranty.



V. Valve Terminology

(Paraphrased from ASME's PTC 25)

- **Back Pressure**

Back pressure is the static pressure existing at the outlet of a safety valve device due to pressure in the discharge system.
- **Blowdown**

Blowdown is the difference between actual popping pressure of a safety valve and actual reseating pressure expressed as a percentage of set pressure, or in pressure units.
- **Bore Area**

Bore area is the minimum cross-sectional area of the seat bushing.
- **Bore Diameter**

Bore diameter is the minimum diameter of the seat bushing.
- **Built-Up Back Pressure**

Built-up back pressure exists at the outlet of a safety valve while it is open and flows through a discharge system.
- **Chatter**

Chatter is abnormal, rapid reciprocating motion of the moveable parts of a safety valve, in which the disc contacts the seat.
- **Closing Pressure**

Closing pressure is the value of decreasing inlet static pressure at which the valve disc re-establishes contact with the seat, or at which lift becomes zero.
- **Disc**

A disc is the pressure-containing moveable member of a safety valve that affects closure.
- **Inlet Size**

Inlet size is the nominal pipe size of the inlet of a safety valve, unless otherwise designated.
- **Leak Test Pressure**

Leak test pressure is the specified inlet static pressure at which a quantitative seat leakage test is performed in accordance with a standard procedure.
- **Lift**

Lift is the actual travel of the disc away from closed position when a valve is relieving.
- **Lifting Device**

A lifting device is a device for manually opening a safety valve by applying external force to lessen the spring loading that holds the valve closed.
- **Seat Bushing**

A seat bushing is the pressure containing element which constitutes the inlet flow passage and includes the fixed portion of the seat closure.
- **Outlet Size**

Outlet size is the nominal pipe size of the outlet passage of a safety valve, unless otherwise designated.
- **Overpressure**

Overpressure is a pressure increase over the set pressure of a safety valve, usually expressed as a percentage of set pressure.
- **Popping Pressure**

Popping pressure is the value of increasing inlet static pressure at which the disc moves in the opening direction at a faster rate, as compared with corresponding movement at higher or lower pressures. It applies only to safety or safety relief valves on compressible fluid service.
- **Pressure Containing Member**

A pressure-containing member of a safety valve is a part which is in actual contact with the pressure media in the protected vessel.
- **Pressure-Retaining Member**

A pressure-retaining member of a safety valve is a part which is stressed due to its function in holding one or more pressure-containing members in position.
- **Rated Lift**

Rated lift is the design lift at which a valve attains its rated relieving capacity.
- **Safety Valve**

A safety valve is a pressure relief valve actuated by inlet static pressure and characterized by rapid opening or pop action.
- **Set Pressure**

Set pressure is the value of increasing inlet static pressure at which a safety valve displays

V. Valve Terminology (Contd.)

the operational characteristics as defined under “Popping Pressure.” It is one value of pressure stamped on the safety valve.

- **Seat**

A seat is the pressure containing contact between the fixed and moving portions of the pressure containing elements of a valve.

- **Seat Diameter**

Seat diameter is the smallest diameter of contact between the fixed and moving members of the pressure containing elements of a valve.

- **Seat Tightness Pressure**

Seat tightness pressure is the specific inlet static pressure at which a quantitative seat leakage test is performed in accordance with a standard procedure.

- **Simmer**

Simmer is the audible or visible escape of fluid between the seat and disc at an inlet static pressure below the popping pressure and at no measurable capacity. It applies to safety valves on compressible fluid service.

- **Warn**

See “Simmer” (definition above).

VI. Handling, Storage and Pre-installation

1. The valves should be stored in a dry environment to protect them from the weather.
2. The valves should never be subjected to sharp impact. This would be most likely to occur by bumping or dropping during loading or unloading from a truck or while moving with a power conveyor, such as a fork lift truck.
3. Meticulous care should be exercised to prevent dirt and other foreign materials from entering the inlet and outlet ports during storage as well as in installation.

VII. Pre-Installation and Installation Instructions

The safety valves must be directly connected in an upright vertical position to any equipment to be protected on equal size fittings no larger than the face-to-face dimension of an American extra-heavy standard iron tee. Under no condition should a stop valve or other obstruction be placed between equipment and the safety valve.

Thoroughly clean the inlet of the valve before installation and be sure that no pipe thread compound gets into the bore of the valve during installation. Do not use excessive wrenching force that may distort the hex on the valve base. The valve must not be tightened by means of a pipe screwed into the outlet.

Each valve should have its own independent discharge piping system, which in no case should be smaller than the valve outlet. If the discharge piping from one or more valves is manifolded together, in no case may the cross-section area of the discharge be less than the combined area of the valve outlets to which they are connected. As required, drainage should be provided for the discharge piping to prevent the accumulation of condensate in the valve body above the seat. The effect of discharge pipe length can be evaluated by any standard fluid flow calculations. Any discharge piping that appears excessive should be reviewed by calculation. The valve at all times should be free from external stresses transmitted from discharge piping. No alterations to discharge should be made without expert advice.

VIII. Design Features & Nomenclature

Consolidated Bronze Safety Valves represent nearly a century of design, development and production experience. These valves are intended for overpressure protection of watertube boilers, firetube boilers, air tanks, other air systems and non-corrosive gases. For more detailed information on valve applications and features, see the 1541/1543_Catalog. Manufacturing and testing of Consolidated Bronze Safety Valves are controlled in accordance with Baker Hughes's Quality Control Program. Consolidated Safety Valves are approved by ASME B&PV Codes, Section I (V Designator) and XIII (UV Designator). Rigid Baker Hughes quality control provides the user assurance that Consolidated Bronze valves are a quality product that has been designed, manufactured and tested to provide many years of consistent, dependable service.

Evidence of this quality is a Green Tag certification attached to the valve following final test and inspection.

Our Green Tag serves as a reminder that each Consolidated Valve meets or exceeds the stringent performance and overpressure protection requirements set forth by the ASME, and backed by Baker Hughes. In addition, the symbol also represents our Green Tag Center located across the U.S. These centers are fully certified by Baker Hughes as Consolidated Valve assembly and repair facilities. They also meet or exceed the standards of ASME and the National Board. For more information on the Green Tag Program, consult our factory.

IX. Introduction

A safety valve is a key safety device that protects against catastrophic pressure vessel failure. However, if it is not properly installed, maintained, operated and repaired, the pressure vessel is like a potential bomb. For example;

A 30 gallon (114 ltr.) hot water tank at 90 psig (6.21 barg) has 3,138,400 ft-lb (4,255,100 Nm) of energy to flash its water into steam at 330°F (165.6°C) if liberated by rupture. Energy of a pound (0.45 kg) of three common explosives is:

Black powder	906 ft-lb (1228 Nm)
Smokeless powder	1,260 ft-lb (1,708 Nm)
Nitroglycerin	2,000,000 ft-lb (2,711,636 Nm)

On this basis, the 30 gallon (114 ltr.) tank is equivalent to about 1.5 lb. (0.68 kg) of nitroglycerin. Catastrophes, of course, are not the only loss exposure from improper safety-valve operation. Overpressure can rupture tubing and blow out packing. Improperly maintained safety valves, at times, may relieve at too low of a pressure or may leak, so the boiler never reaches the desired pressure or full efficiency. The result of these problems is unscheduled downtime. In summary, proper installation, maintenance and repair is as important as buying a reliable valve. This manual therefore provides instructions for installation, maintenance and repair of Consolidated Bronze Safety Valves.

X. Consolidated Safety Valve Series 1541/1543

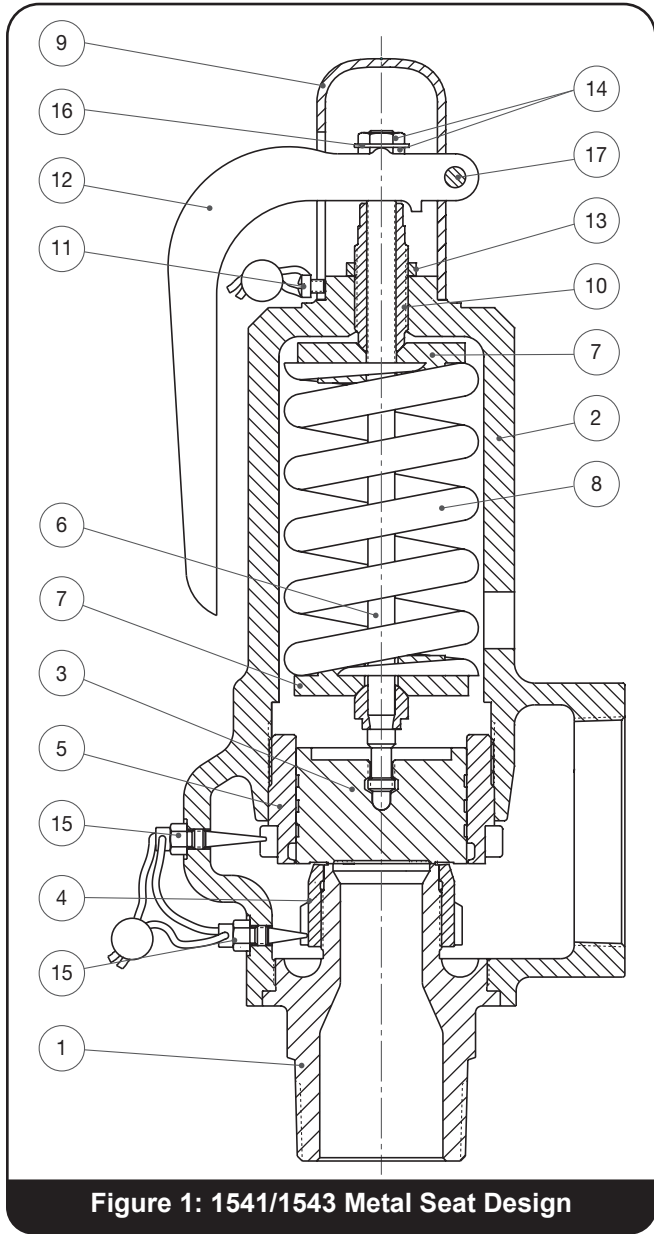


Figure 1: 1541/1543 Metal Seat Design

Part No.	Nomenclature
1	Base
2	Bonnet
3	Disc
4	Lower Adjusting Ring
5	Upper Adjusting Ring
6	Spindle
7	Spring Washer
8	Spring
9	Cap
10	Compression Screw
11	Cap Screw
12	Lever
13	Compression Screw Nut
14	Lifting Washer Nut
15	Adjusting Ring Pin
16	Lifting Washer
17	Lever Pin
18	Seat Washer (Soft Seat)
19	Soft Seat Retainer Ring (Soft Seat)
20	Lift Limiter (5 to 15 psig only)

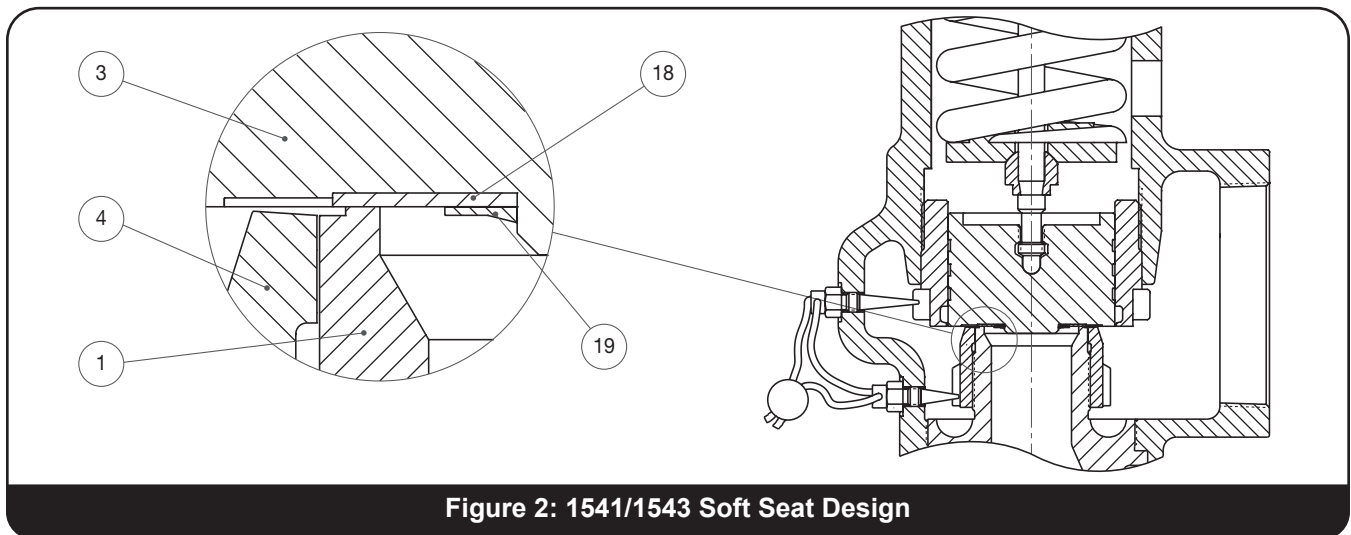


Figure 2: 1541/1543 Soft Seat Design

XI. Operating Principles

If a safety valve is subjected to pressure at or near its set pressure, it will tend to weep or simmer and deposits can accumulate in the seat and disc area. Eventually, this can cause the valve to freeze closed and thereafter the valve could fail to open at the set pressure.

To help prevent the valve from weeping or simmering, it is important that the pressure differential between the valve set pressure and the boiler or pressure vessel operating pressure is sufficiently large to prevent the valve from weeping or simmering.

To minimize operational problems, the user must consider not only normal operating conditions of the

fluids (liquids or gases), pressures and temperatures, but also startup and shutdown conditions, process upsets and anticipated ambient conditions, instrument response time, pressure surges due to quick-closing valves, etc. When such conditions are not considered, the safety valve may become, in effect, a pressure controller, a duty for which it was not designed. Additional consideration should be given to the hazard and pollution associated with the release of the fluid. Large differentials may be appropriate for fluids which are toxic, corrosive, or exceptionally valuable.

XII. General Planning for Maintenance

Safety valves require periodic inspection and tests by qualified persons to keep them working properly. There is a natural reluctance to test valves while boilers are in operation. Yet, this is the best way to be sure the valves will function properly. The most positive test is to gradually increase boiler pressure until the valve or valves pop or until the maximum allowable working pressure is reached (pressure test).

The testing frequencies of safety valves will vary from plant to plant due to operating conditions. However, under normal conditions, the following schedule is recommended:

- Low pressure heating boilers: Manually tested not less than once each month, pressure tested once each year.
- Power boilers when the maximum allowable working pressure is up to 400 psig (27.58 barg): Manually tested not less than once each month, pressure tested once each year.

When they are tested manually, the levers should be lifted so as to raise the disc as high as possible to help flush out any deposits or foreign material that may accumulate in the seats or disc areas.

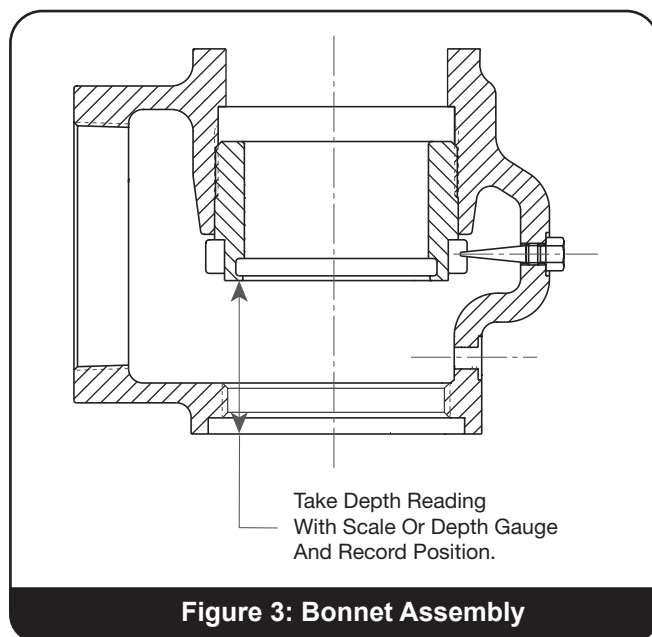
This is especially important on new installations because the boiler and piping systems may not have been thoroughly cleaned before the boiler was put into operation. Do not attempt to lift the lever unless there is pressure in the boiler at least equal to 75 percent of the stamped opening pressure of the safety valve.

When manually lifting the valve disc, just cracking it open slightly to permit the flow of steam or water is not advisable. If this is done, the seat may be damaged, causing the valve to leak when it is closed.

Problems encountered during visual inspection can be noted on the valve maintenance record to help with planned-outage maintenance. The valve record should include: nameplate data; date of last visual inspection, with results; date of operation, with results; date of testing, with results; date of last maintenance and repairs, and nature of repair work. The safety valve is part of the boiler system and must function as an integral part of it. ASME Boiler Code Section VII, recommended rules for care of power boilers, gives sound fundamentals on the coordination of all boiler devices.

XIII. Disassembly of 1541/1543 Series Safety Valves

1. Remove Cap or Cap-Lever Assembly.
2. Remove Lifting Washer and Lifting Washer Locknuts if applicable.
3. Remove Lower Adjusting Ring Pin (Do not remove Upper Ring Pin).
4. Turn Lower Adjusting Ring to right, slowly counting the number of notches moved until ring touches disc. (Note this location as lower adjusting ring should be set in same position on assembly).
5. Release Compression Screw Lock Nut and release spring compression by turning Compression Screw counter-clockwise and count number of turns to just relieve the compression.
6. With valve Base held in vise loosen Bonnet to Base connection (Use strap wrench, do not use pipe wrench as this may crush the bonnet).
7. Remove Bonnet, Upper Adjusting Ring, Disc, Spindle, Spring and Spring Washer assembly from Base, holding Spindle to be sure Disc does not drop.
8. Remove Disc, Spindle, and Spring and Spring Washer from Bonnet.
9. The Upper Adjusting Ring need not be removed from Bonnet. However, if it is removed for cleaning or inspection, its position should be recorded. This can be done as follows:
 - a. Record position of Upper Adjusting Ring while ring pin is still engaged by measuring from bottom face of Ring to bottom face of Bonnet (See Figure 3).
 - b. Remove Upper Adjusting Ring Pin and remove Upper Adjusting Ring from Bonnet by turning ring in counter-clockwise direction.
10. Remove Disc from Spindle by engaging the threads and turning the Disc counter-clockwise.
11. If the Disc is soft seated and damaged, remove Retaining Ring with a sharp tool. Subsequently, remove Soft Seat. Retaining Ring and Soft Seat should not be used again, instead new Retaining Ring and Soft Seat should be used.



XIV. Maintenance Instructions

A. General

When a defective safety valve is encountered, immediate steps should be taken to have it replaced or repaired. These valves are delicate devices and they must be treated as such. It is a dangerous practice and false economy to have repairs carried out by persons who are not competent.

Remember that close tolerances are provided inside these valves for guides, disc, and seat. Anything that disturbs these tolerances can cause a malfunction of the valve. For instance, a wrench should never be used on the valve body; use the flat surfaces provided for this purpose. This will help avoid distorting the valve body, which could interfere with the clearances and tolerances of the internals.

If the repair causes any deviation from the original design, the valve may no longer be considered as being of the original type, since such changes could adversely affect the valve capacity and operation.

B. Lapping Procedure

Seating surfaces could be restored by lapping. This can be accomplished by lapping with a flat cast iron ring lap coated with Grade No. 1000 KWIK-AK-SHUN Silicon Carbide compound, or equivalent.

Lapping a flat seat is extremely simple. No special skill is required and the technique is readily apparent after a few minutes of actual lapping.

The following precautions and hints will enable anyone to do a "professional" job of lapping seats:

XIV. Maintenance Instructions (Contd.)

1. Keep the work clean.
2. Always use a fresh lap. If signs of wearing (out of flatness) are evident, recondition the lap.
3. Apply a very thin layer of compound to the lap. This will prevent rounding off the edges of the seat.
4. Keep the lap squarely on the flat surface and avoid any tendency to rock the lap which will cause rounding of the seat.
5. When lapping the base keep a firm grip on the lap or part to prevent the possibility of dropping it and damaging the seat.
6. Lap, using a reciprocating motion in all directions, at the same time applying uniform pressure and rotating the lap or the part slowly. If reconditioning necessitates removing more than .010" (0.25 mm), replace the base.
7. When lapping the disc seat, the lap should be held stationary and the disc moved as above. If reconditioning necessitates removing more than .010" (0.25 mm), replace the disc.
8. Replace the compound frequently after wiping off the old compound, and apply more pressure to speed the cutting action of the compound.
9. To check the seating surfaces, remove all compound from both the seat and the lap. Then shine up the seat with the same lap using the lapping motion described above. Alternatively, use polishing paper to shine up seating surface. Place polishing paper on a flat metallic surface. Rub part gently with rotating/reciprocating motion to shine-up. Low sections on the seating surface will show up as a shadow in contrast to the shiny portion. If shadows are present, further lapping is necessary, and only laps known to be flat should be used. Only a few minutes will be required to remove the shadows.
10. When the lapping is completed, any lines appearing as cross scratches can be removed by rotating the lap, which has been wiped clean of compound, on the seat about its own axis.
11. The seat should now be thoroughly cleaned with kerosene, light oil, or carbon tetrachloride, using a lint-free cloth or tissue paper.

XV. Inspection and Part Replacement

1. Metal Seat Disc Replacement Criteria:

Metal Seat Disc should be replaced:

- a. Seat Surface (Y) is nicked.
- b. Spindle bearing surface (Z) is galled or pitted.
- c. Exceeds dimensions mentioned in Table 1 and Figure 4.

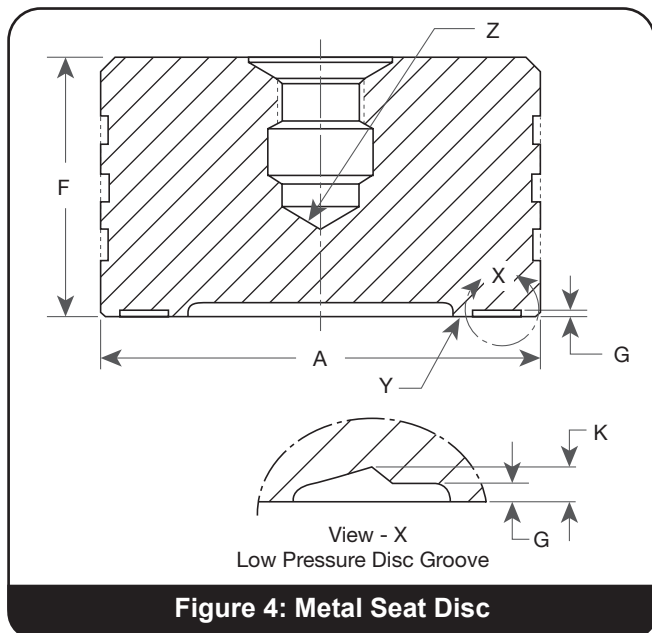


Figure 4: Metal Seat Disc

Table 1: Metal Seat Disc Replacement Criteria

Orifice	A +.000/-0.002" (+0.00/-0.05 mm)		F ±.063" (± 1.59 mm)		G min.		K min.	
	in.	mm	in.	mm	in.	mm	in.	mm
D	.717	18.21	.562	14.27	.015	0.38	N/A	N/A
E	.955	24.26	.562	14.27	.015	0.38	N/A	N/A
F	1.194	30.33	.938	23.83	.015	0.38	N/A	N/A
G	1.528	38.81	1.063	27.00	.015	0.38	N/A	N/A
H-LP	1.911	48.54	1.125	28.58	.015	0.38	.044	1.12
H-HP	1.911	48.54	1.125	28.58	.015	0.38	N/A	N/A
J-LP	2.451	62.26	1.438	36.53	.015	0.38	.048	1.22
J-HP	2.451	62.26	1.438	36.53	.015	0.38	N/A	N/A

2. Soft Seat Disc Replacement Criteria:

Soft Seat Disc should be replaced:

- a. Spindle bearing surface (Z) is galled or pitted.
- b. Outside diameter exceeds A min. mentioned in Table 2 and Figure 5.

XV. Inspection and Part Replacement (Contd.)

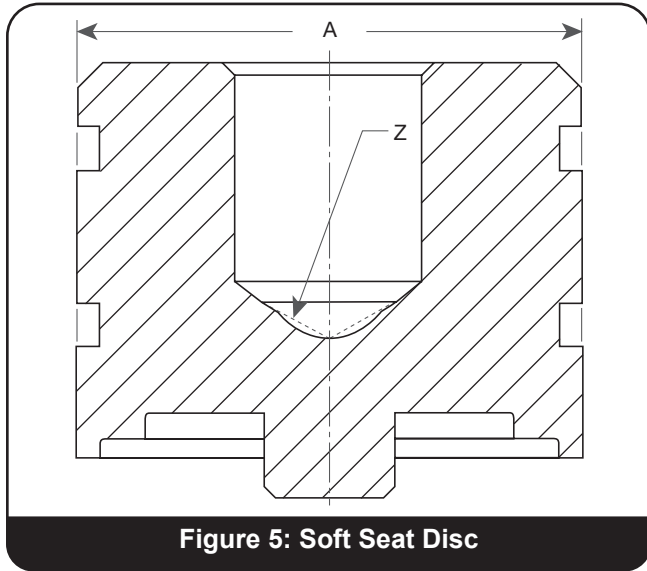


Figure 5: Soft Seat Disc

Orifice	A $+0.000/-0.002"$ ($+0.00/-0.05$ mm)	
	in.	mm
D	.717	18.21
E	.955	24.26
F	1.194	30.33
G	1.528	38.81
H	1.911	48.54
J	2.451	62.26

3. Lower Adjusting Ring Replacement Criteria:

Lower Adjusting Ring (Figure 6) should be replaced:

- a. Threads (T) are torn, stripped or galled.
- b. Notches (N) are worn or missing.
- c. Outside diameter exceeds minimum dimension E in Table 3.

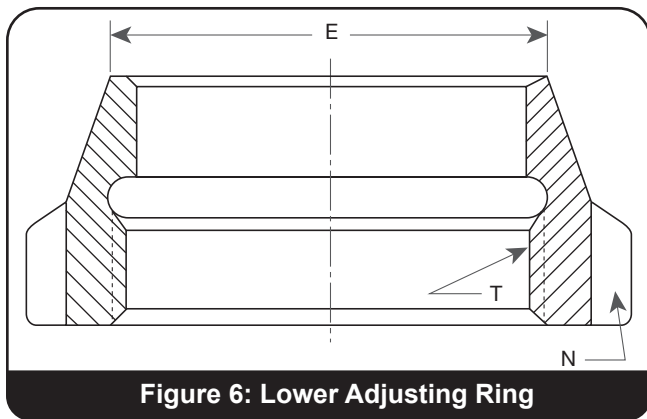


Figure 6: Lower Adjusting Ring

4. Upper Adjusting Ring Replacement Criteria:

Upper Adjusting Ring (Figure 7) should be replaced:

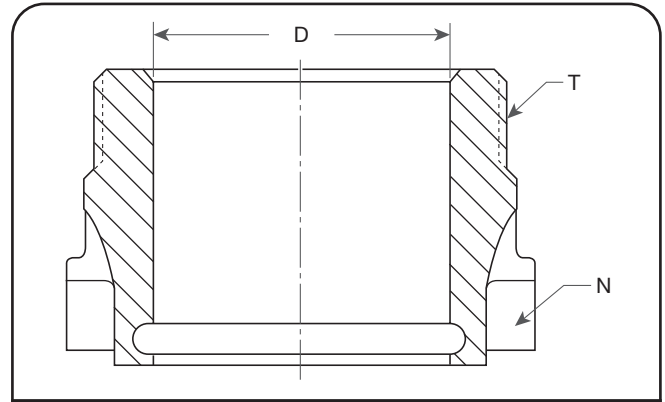


Figure 7: Upper Adjusting Ring

Orifice	Upper Adj. Ring		Lower Adj. Ring	
	D max.		E $\pm .002"$ (± 0.05 mm)	
	in.	mm	in.	mm
D	.722	18.34	.575	14.61
E	.960	24.38	.771	19.58
F	1.200	30.48	.963	24.46
G	1.536	39.01	1.232	31.29
H	1.919	48.74	1.542	39.17
J	2.459	62.46	1.977	50.22

- a. Threads (T) are torn, stripped or galled.
- b. Notches (N) are worn or missing.
- c. Inside diameter exceeds dimension D in Table 3.

5. Base Replacement Criteria:

Base (Figure 8) should be replaced:

- a. Seat Surface (X) is nicked.

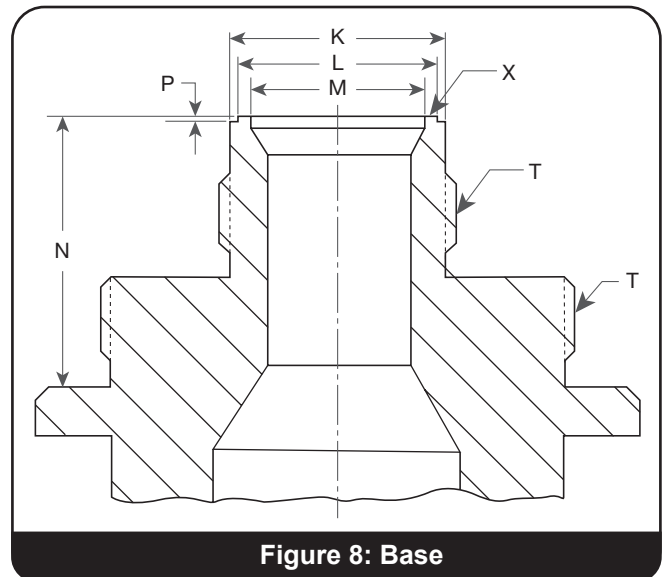


Figure 8: Base

XV. Inspection and Part Replacement (Contd.)

- b. Threads (T) are torn, stripped or galled.
- c. Dimensions in Table 4 (Figure 8) exceeds minimum values.

Replace all parts as needed. If any damage listed above is present, the part should be replaced or repaired per instruction. Other valve parts may be

acceptable with light corrosion, pitting, or minor damage of other types if it can be determined that it will not affect product performance. All o-rings and seals should be replaced each time the valve is disassembled.

Table 4: Base Replacement Criteria

Orifice	K ± .001" (± 0.03 mm)		L +.001/-.002" (+0.03/-0.05 mm)		M ± .002" (± 0.05 mm)		N ± .015" (± 0.38 mm)		P min.	
	in.	mm	in.	mm	in.	mm	in.	mm	in.	mm
D	.526	13.36	.487	12.37	.444	11.28	.781	19.84	.020	5.08
E	.701	17.81	.640	16.26	.590	14.99	.781	19.84	.020	5.08
F	.874	22.20	.802	20.37	.739	18.77	1.063	27.00	.020	5.08
G	1.119	28.42	1.027	26.09	.945	24.00	1.156	29.36	.020	5.08
H	1.399	35.53	1.294	32.87	1.180	29.97	1.313	33.35	.020	5.08
J	1.795 ± .002	45.59 ± 0.05	1.634	41.50	1.512	38.40	1.531	38.89	.020	5.08

XVI. Reassembly of 1541/1543 Series Safety Valves

1. Clean seats and all parts.
2. Assemble Lower Adjusting Ring to Base (top of Lower Adjusting Ring to be flush with seat).
3. Assemble Upper Adjusting Ring to Bonnet and reset Upper Adjusting Ring to its original position and assemble Upper Adjusting Ring Pin.
4. Lubricate Spindle Bearing with powdered graphite mixed with penetrating oil and thread disc on Spindle and assemble Spring and Spring Washers.
5. Insert Disc, Spindle, Spring and Spring Washer Assembly to Bonnet. If soft seated disc, see Step 11.
6. Holding Bonnet and Spindle (so that Disc will not drop) install Bonnet Assembly to Base. Tighten Bonnet on Base with strap wrench.
7. Assemble Compression Screw and re-establish spring compression by turning down the compression screw.
8. Re-establish position of Lower Adjusting Ring as follows:
 - a. Using a pointed tool turn the Lower Adjusting Ring to the right slowly, thus raising the ring until it touches the disc.
 - b. Then, counting the notches, turn the lower adjusting ring to the left, thereby lowering the ring, until the original position is established.
9. Test valve per instructions outlined under SETTING, TESTING AND ADJUSTMENT (Section XVII).
10. Install Lifting Washer and Locknuts, Cap and Lever. Make sure that Lifting Washer clears Lever by at least .063" (1.59 mm) when Lifting Lever is in free position. If screwed cap or packed lever construction, perform their installation.
11. Utilize following steps to assemble soft seated disc:
 - a. Clean disc, put it on a metallic plate (See Figure 9). Disc surface having spindle pocket will lie on the metal plate.

XVI. Reassembly of 1541/1543 Series Safety Valves (Contd.)

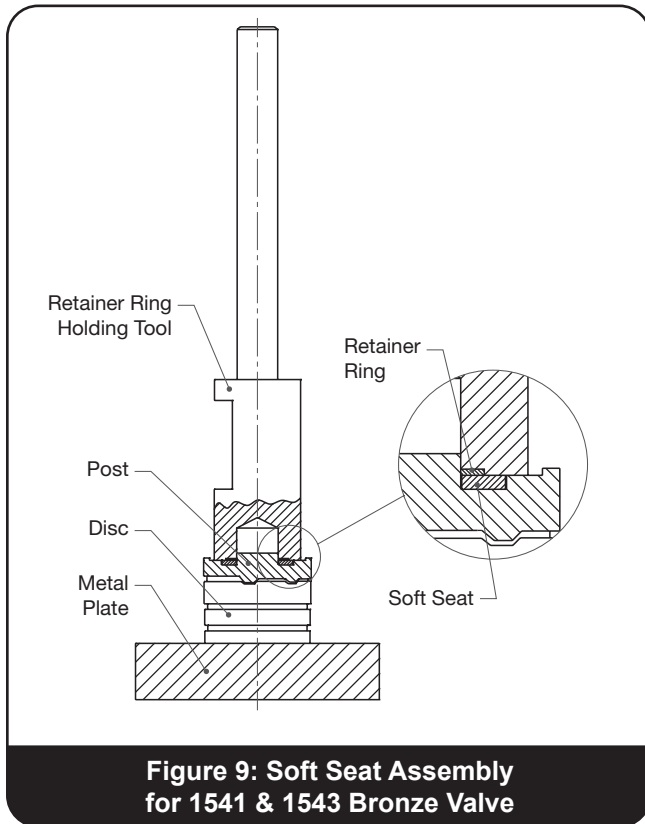


Figure 9: Soft Seat Assembly for 1541 & 1543 Bronze Valve

- c. Pick-up an appropriate Retaining Ring and tool assembly (See Table 5). Place Retaining Ring on the Disc. Subsequently put tool assembly in the mechanical press (not shown in Figure 9). Provide slight force to position Retaining Ring over the post. After removing force and inspecting proper positioning of Retaining Ring, press the Retaining Ring again, hard enough, to move Retaining Ring down to hold the seat washer tightly. A properly assembled soft seat will be somewhat compressed by Retaining Ring.

Table 5: Soft Seat Assembly Tool for 1541 & 1543 Bronze Valve		
Orifice Size	Retainer Ring	Assembly Tool No.
D	2091156	7530141
E	2091157	7530142
F	2091158	7530143
G	2091159	7530144
H	2091161	7530145
J	2091163	7530146

- b. Pick up an appropriate washer of the specified material. Clean this with lint free cloth. Inspect it for nicks, cuts, dents, concentric hole, etc.

(Defective part should be rejected). Put Washer on the Disc (See Figure 9).

XVII. Setting, Testing and Adjustment

Testing of safety valves is a necessary step, along with the maintenance and inspection. Set pressure, closing pressure (blowdown), and lift are the three most important criteria. The three fundamental times when a safety valve should get a thorough test of the three operating characteristics mentioned are: when newly installed, so that operating characteristics can be properly adjusted; before planned maintenance, so that maintenance needs can be found; and after major maintenance involving machining or changing of parts.

To change the popping pressure of the valve, remove cap/cap-lever assembly. Loosen the locknut and turn the compression screw clockwise to increase pressure or counter-clockwise to decrease pressure.

Raising the popping pressure will increase the blowdown and likewise, lowering the popping pressure will decrease the blowdown. To correct or change the amount of blowdown, remove the upper ring pin and

using a pointed tool, turn the upper adjusting ring five notches at a time. Turning the upper ring to the right will raise the ring and decrease the blowdown. Turning the upper ring to the left will lower the upper ring and increase the blowdown.

All blowdown adjustments should be made with the upper adjusting ring. If the upper ring is difficult to move, due to dirt being trapped between the ring and bonnet threads the ring can be freed by tapping lightly on the valve bonnet near the upper ring.

The lower adjusting ring should be adjusted one notch at a time. After putting in adjusting ring pins, the adjusting rings should be free to move within one notch. If the pins are too long, they will bend or break under thermal expansion. Furthermore, they could also cause misalignment and leakage. If they are too short the rings will move up and down. Check the relative contact of ring and ring pin after each adjustment.

XVII. Setting, Testing and Adjustment (Contd.)

It is possible that the first blow of a safety valve on steam may be a few pounds higher than after the valve is completely heated. Therefore, the valve should be popped a few times before any adjustments are changed.

The latest edition of the Code requires that all valves to be used for steam service must be tested on steam and not air or other media. In addition, all external adjustments must be sealed after testing and adjustment of set pressure. Seals shall be installed by the manufacturer at the time of initial shipment and after field adjustment or repair of the valves by either the manufacturer, his authorized representative, repairer, or the user. Seals shall be installed in such a manner as to prevent changing the adjustment without breaking the seal, and in addition, shall serve as a

means of identifying the manufacturer, assembler, repairer, or user making the adjustment.

All safety valves for steam service are adjusted on steam at the factory, and all safety valves for air or gas service are adjusted on air. However, adjustments are necessary on the actual installation in order for the valves to have proper action and blowdown. This condition is due to the variations in size between the actual installation and the factory test drums and in outlet piping conditions.

All springs have factory established pressure ranges and must be changed if their pressure limits are exceeded. When it is desired to change the set pressure, the correct pressure-limit of the spring should be obtained from the factory.

XVIII. Troubleshooting

Certain troubles may develop through use or damage to working parts. The most common are simmering, leaking, chattering, and hang-up. See Table 6 for a summary of probable causes and corrective actions.

Simmering is defined as an audible escape of steam as pressure is raised to near the popping point. A slight simmer is not objectionable and only indicates slight irregularity of the seating surface. Larger amounts of simmer indicate seat damage, or that the Lower Adjusting is too low. If an attempt is made to eliminate simmer by adjustment of the Lower Adjusting Ring, it should be turned to the right one notch at a time, thereby raising the ring.

Leaking is the constant escape of steam at normal operating pressure below the closing pressure of the valve. It is caused by either damage to the seating surfaces or due to foreign matter being trapped. In the case of soft seated disc, leakage may occur due to nicks, cuts or dents on the soft seat. Furthermore, occasionally soft seat may get blown out during popping and relieving action. If hand lifting, wide open, does not give relief, the valve should be repaired at the first opportunity.

Other causes of leakage are interference of the lifting lever, such as the Lifting Washer riding on the Lever, and improper installation of the discharge piping so as to introduce undue strain upon the valve. Chattering is a hammering action of a vibratory nature of the Disc on the Seat and must be stopped immediately or the seats will be ruined. To stop chattering, hold the valve open with the Lever until the steam pressure has been reduced several pounds.

Chattering is caused by the valve

1. Not having sufficient blowdown
2. Excessive back pressure from undersize discharge piping
3. Insufficient steam flow to the valve
4. Closing off of the vent hole in Bonnet

Hang-up occurs upon closing and is defined as leakage from the valve failing to shut off tightly. Incorrect blowdown or mechanical interference are the two principal causes. However, if the valve should hang-up, turn the Lower Adjusting-Ring to the left one or two notches. Chattering is a hammering action of a vibratory nature thereby lowering the ring should eliminate the trouble.

XVIII. Troubleshooting (Contd.)

Table 6: Valve Functional Problems and Corrective Actions

Problem	Probable Cause	Corrective Action
No action, valve does not go into full lift	A. Upper ring too high	A. Increase blowdown.
	B. Foreign material trapped between disc and guide	B. Disassemble valve and correct condition. Inspect system for cleanliness.
Hangup or failure to close from full lift	A. Lower ring too high	A. Move lower ring to left one notch per adjustment until problem is eliminated.
	B. Foreign material between disc and nozzle.	B. Disassemble valve and correct condition. Inspect system for cleanliness.
Excessive blowdown	A. Upper ring too low	A. Decrease blowdown.
	B. Exhaust pressure too high	B. Decrease exhaust pressure by increasing discharge area.
Valve leaks and/or exhibits erratic popping action	A. Damaged seat	A. Disassemble valve, tap seating surfaces, replace disc if required.
	B. Part misalignment	B. Disassemble valve, inspect contact area of disc and nozzle, lower spring washer or spindle, compression screw, spindle straightness, etc.
	C. Disc has insufficient rock	C. Disassemble valve and check disc rock.
	D. Discharge pipe binding on outlet	D. Correct as required.
	E. Soft seat damage	E. Replace soft seat and retaining ring if damaged.
Simmer	A. Lower ring too low	A. Adjust lower ring.
	B. Streamline vibrations	B. Investigate and correct cause.

XIX. Replacement Parts Planning

A. Basic Guidelines

The recommended spare parts/tools are spring, disc, soft seat, retaining ring and retaining ring assembly tools. When ordering replacement or spare parts, state type, size, and set pressure of the valve, and

whether used with steam or air. Refer to 1541/1543 Series Consolidated Safety Valve catalog for more detailed information on parts descriptions and nomenclatures.

Component: Disc								
Valve Type	VWW816	VTT816	VRR816	WPP815A	4268702	WQQ815A	4322101	WRR815A
1541D	X							
1541E		X						
1541F			X					
1541G				X				
1541H					X	X		
1541J							X	X
1543D	X							
1543E		X						
1543F			X					
1543G				X				
1543H					X	X		
1543J							X	X

Component: Soft Seat Disc						
Valve Type	4263701	4264701	4264801	4264901	4265001	4265101
1541D	X					
1541E		X				
1541F			X			
1541G				X		
1541H					X	
1541J						X
1543D	X					
1543E		X				
1543F			X			
1543G				X		
1543H					X	
1543J						X

Component: Retainer Ring						
Valve Type	2091156	2091157	2091158	2091159	2091161	2091163
1541D	X					
1541E		X				
1541F			X			
1541G				X		
1541H					X	
1541J						X
1543D	X					
1543E		X				
1543F			X			
1543G				X		
1543H					X	
1543J						X

Component: Adjusting Ring Pin								
Valve Type	4040703	4040701	4040704	4040705	4040702			
1541D	X							
1541E	X	X						
1541F			X					
1541G				X				
1541H					X			
1541J								
1543D	X							
1543E	X							
1543F		X						
1543G			X					
1543H				X				
1543J					X			

Component: Spring Washers						
Valve Type	VBG906	VBA906A	VAW906A	VBH906A	VAU906A	4342602
1541D	X					
1541E		X				
1541F			X			
1541G				X		
1541H					X	
1541J						X
1543D	X					
1543E		X				
1543F			X			
1543G				X		
1543H						
1543J						X

XIX. Replacement Parts Planning (Contd.)

B. Identification and Ordering Essentials

When ordering service parts, please furnish the following information to ensure receiving the correct replacement parts:

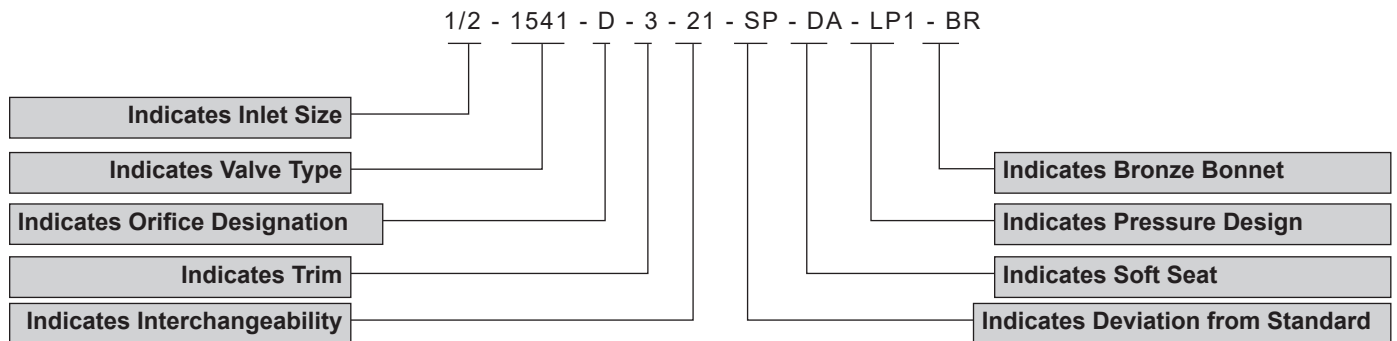
Identify valve by the following nameplate data:

1. Size
2. Type
3. Temperature Class
4. Serial Number

Example:

Soft Seat Selection

Material	Temperature Range				Pressure Range			
	min.		max.		min.		max.	
	°F	°C	°F	°C	psig	barg	psig	barg
Viton A	-10	-23.3	400	204.4	5	0.34	300	20.68
Silicone	-75	-59.4	400	204.4	5	0.34	300	20.68
Teflon	-325	-198.3	406	207.8	151	10.41	300	20.68



XX. Genuine Consolidated Parts

The next time replacement parts are needed, keep these points in mind:

- Baker Hughes designed the parts
- Baker Hughes guarantees the parts
- Consolidated valve products have been in use since 1879
- Baker Hughes has worldwide service
- Baker Hughes has fast response availability for parts

XXI. Field Service, Repair and Training Program

A. Field Service

Utilities and Process Industries expect and demand service at a moment's notice. Baker Hughes Field Service can be depended upon for prompt response, even in extreme off-hour emergency situations.

Baker Hughes maintains the largest and most competent field service staff in the industry. Service engineers are located at strategic points throughout the United States to respond to customers' requirements for service. Each service engineer is factory trained and long experienced in servicing Safety Valves. Baker Hughes service engineers restore disc and seat bushing critical dimensions which affect valve performance, and are capable of modernizing valves in the field.

It is highly recommended that the professional talents of a Baker Hughes Field Service engineer be employed to make final field adjustments during the initial setting of all Consolidated Safety Valves.

For further information, please contact your local Green Tag Center (GTC).

B. Factory Repair Facilities

The Consolidated factory maintains a Baker Hughes Repair Center. The repair department, in conjunction with the manufacturing facilities, is equipped to perform specialized repairs and product modifications, e.g., bushing replacements, hydroset calibrations, electromatic relief valve repairs, etc.

For further information, please contact your local Green Tag Center (GTC).

C. Safety Valve Maintenance Training

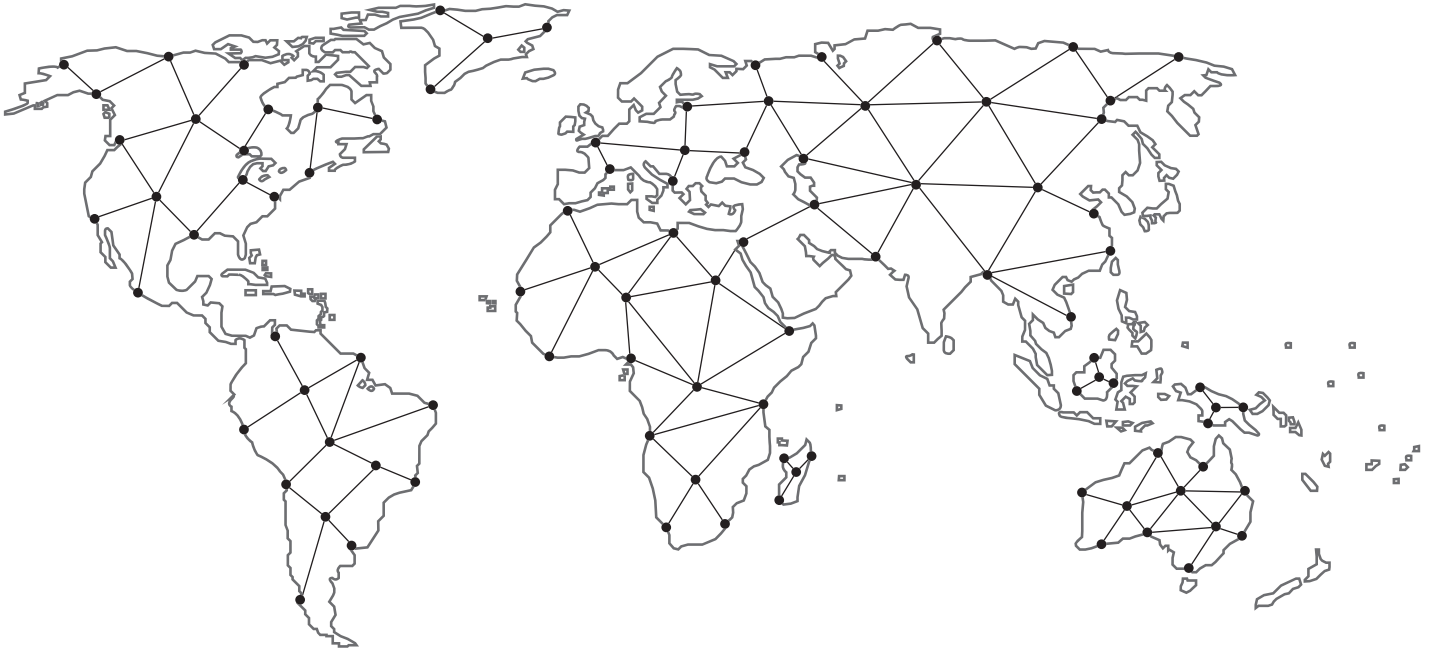
Rising costs of maintenance and repair in the Utility and Process Industries indicate the need for trained maintenance personnel. Baker Hughes conducts service seminars that can help your maintenance and engineering personnel to reduce these costs.

Seminars, conducted either at your site, or at our manufacturing plant, provide participants with an introduction to the basics of preventative maintenance. These seminars help to minimize downtime, reduce unplanned repairs and increase valve safety. While they do not make "instant" experts, they do provide the participants with "Hands On" experience with Consolidated Valves. The seminar also includes valve terminology and nomenclature, component inspection, trouble shooting, setting and testing, with emphasis on the ASME Boiler and Pressure Vessel Code.

For further information, please contact your local Green Tag Center (GTC).

Find the nearest local Channel Partner in your area:

valves.bakerhughes.com/contact-us



Tech Field Support & Warranty:

Phone: +1-866-827-5378

valvesupport@bakerhughes.com

valves.bakerhughes.com

Copyright 2022 Baker Hughes Company. All rights reserved. Baker Hughes provides this information on an "as is" basis for general information purposes. Baker Hughes does not make any representation as to the accuracy or completeness of the information and makes no warranties of any kind, specific, implied or oral, to the fullest extent permissible by law, including those of merchantability and fitness for a particular purpose or use. Baker Hughes hereby disclaims any and all liability for any direct, indirect, consequential or special damages, claims for lost profits, or third party claims arising from the use of the information, whether a claim is asserted in contract, tort, or otherwise. Baker Hughes reserves the right to make changes in specifications and features shown herein, or discontinue the product described at any time without notice or obligation. Contact your Baker Hughes representative for the most current information. The Baker Hughes logo, Consolidated and Green Tag are trademarks of Baker Hughes Company. Other company names and product names used in this document are the registered trademarks or trademarks of their respective owners.

